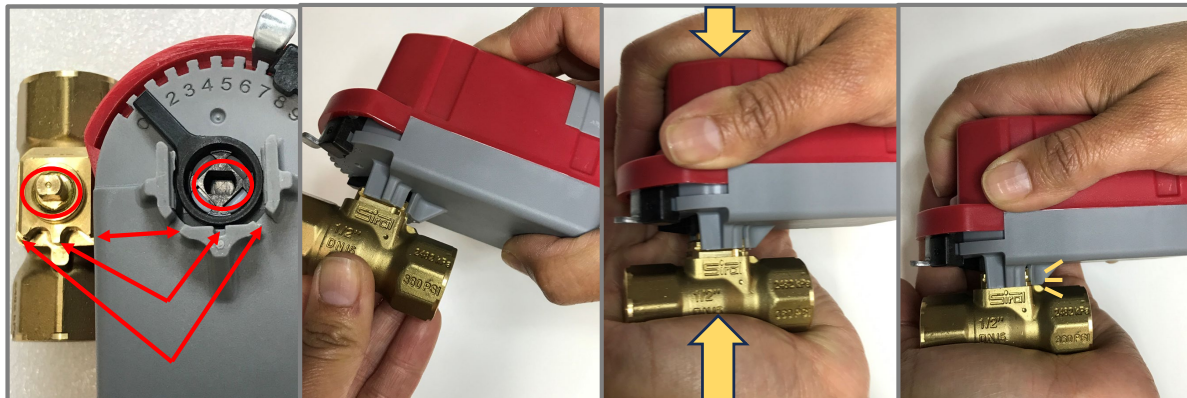


INSTALLATION INSTRUCTION MANUAL

NB24F, NB24M, NBLVF, FB24, FB24-S, FB24M, FBLV Actuators

Push valve & actuator together until you hear a click sound.

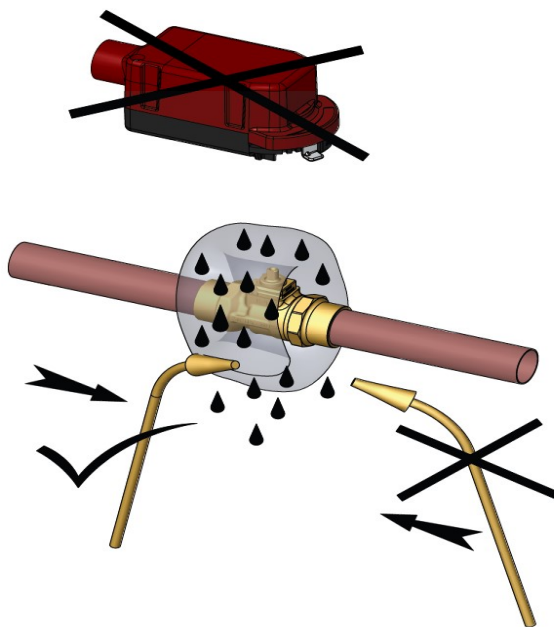


NOTE: Do not twist to disassemble. Pull hard and keep aligned.

NOTE:

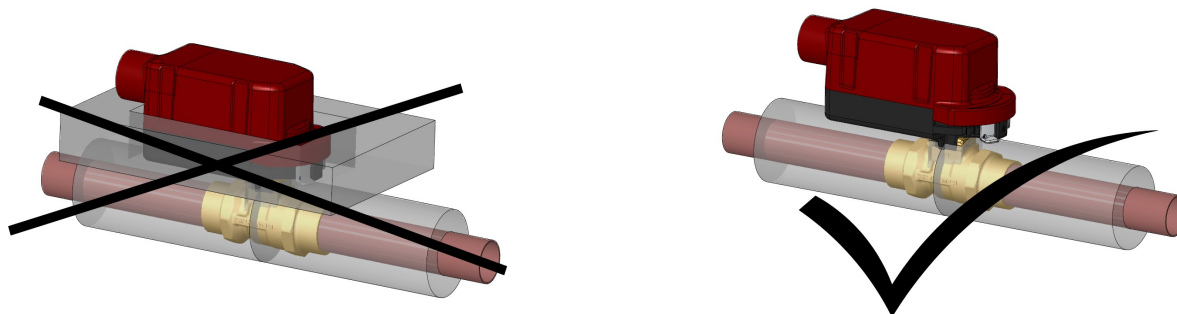
When soldering valve to pipe actuator should be removed to protect from heat damage.

Valve should also be covered with wet towel to protect internal valve components from damage. Use appropriately sized torch to prevent overheating of the valve.



NOTE:

Insulation should wrap the pipe and valve body but not the actuator. Insulation must be below actuator.

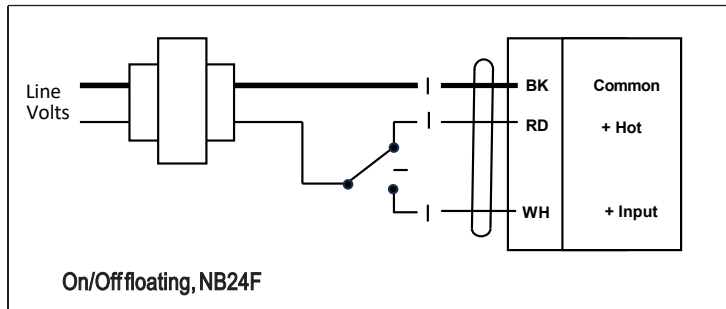


INSTALLATION INSTRUCTION MANUAL

NB24F, NB24M, NBLVF, FB24, FB24-S, FB24M, FBLV Actuators

Wiring Diagrams

Non fail Safe Actuators



Fail Safe Actuators

